

**PHYSICAL CHARACTERISTICS**

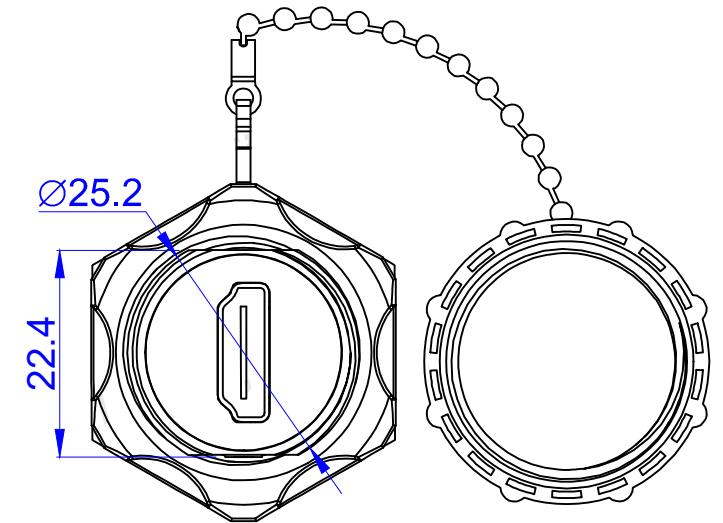
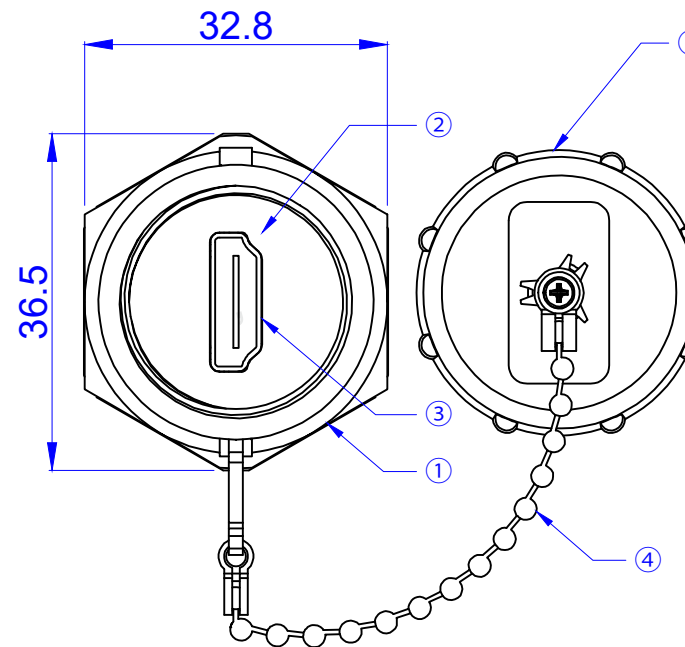
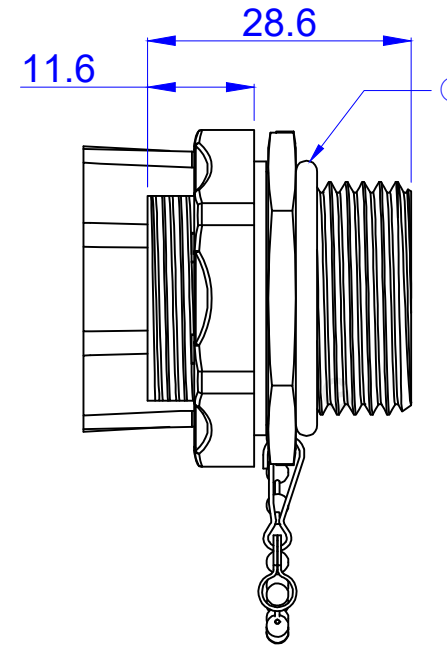
MATING : 44N MAX.  
 WITHDRAWAL : 10N MIN.  
 DURABILITY : 10000 CYCLES.  
 OPERATING TEMPERATURE RANGE : -10°C TO 60°C  
 STORAGE TEMPERATURE RANGE : -20°C TO 80°C  
 HUMIDITY : 10%~90%RH.

**ELECTRICAL**

CONTACT CURRENT RATING : 0.5A.  
 DIELECTRIC WITHSTANDING VOLTAGE : 300V AC.  
 INSULATION RESISTANCE :  
 A.MATE 100 MΩ MIN 500V/DC.  
 B.UNMATE 10 MΩ MIN AT 150V/DC.  
 CONTACT RESISTANC : 30 MΩ MAX.


**IP67**

ACCORDING TO IEC 60529:2001-02  
 DEGREES OF PROTECTION PROVIDED BY ENCLOSURES  
 6:DUST-TIGHT  
 7:PROTECTED FROM IMMERSION IN WATER FOR 30 MINUTES AT A DEPTH OF 1 METER.



RoHS

No.	Description
1	MAIN BODY & DUST CAP : PBT+GF,UL94V-0. (MOLDED 25P PVC.)
2	CONNECTOR : HDMI 19 PIN FEMALE SPLINT TYPE,PIN GOLD PLATED 15u ON CONTACT AREA SEE(A),SHELL GOLD FLASH PLATED,BLACK INSULATION.
3	HDMI 2.0
4	CHAIN: BRONZE, NICKEL PLATED. CONTACT: COPPER ALLOY, T=0.2MM. SHELL: COPPER ALLOY, T=0.5MM
5	O-RING : EPDM

Part #	WTP-HDMI-2	Part #	Cable Length
Title	Waterproof HDMI 2.0 Coupler with Dust Cap		
Unit	 <b>PI Manufacturing Corp.</b>		
mm			