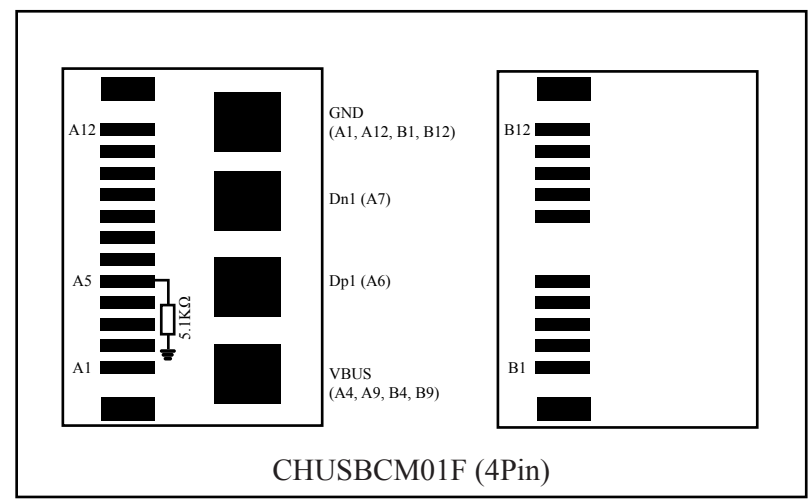


Micro USB 2.0 B5M (Nickel Plated)
Black Molding

USB 3.1 CM (Nickel Plated)
Black Molding



CHUSBCM01F (4Pin)

2.0 5.1KΩ

Part #	Cable Length
USB2-CM-MCB-3	3ft ± 20mm

5	PE
4	45P Black PVC
3	Micro USB 2.0 B Male (Black Insulator, Nickel Plated)
2	USB 3.1 C Male Type (Black Insulator, Nickel Plated) CHUSBCM01F (4Pin) 2.0 5.1KΩ
1	UL2725 28#*1P+28#*2C+AL+D+B(16*5/0.12AM) OD=3.5mm Black PVC Jacket

Part #	USB2-CM-MCB-3
Title	USB 2.0 Type C Male to Micro USB B 5Pin Male Cable - Black
Unit	mm

