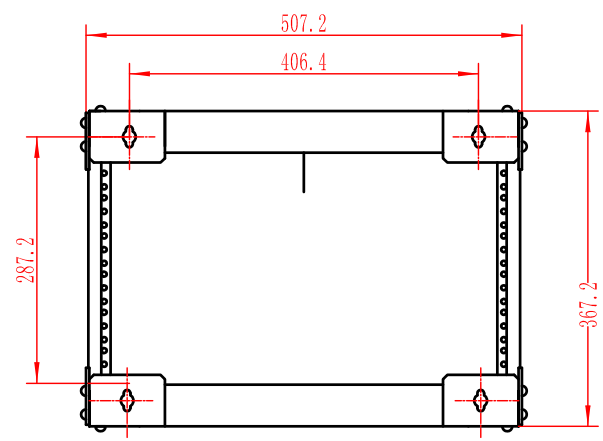
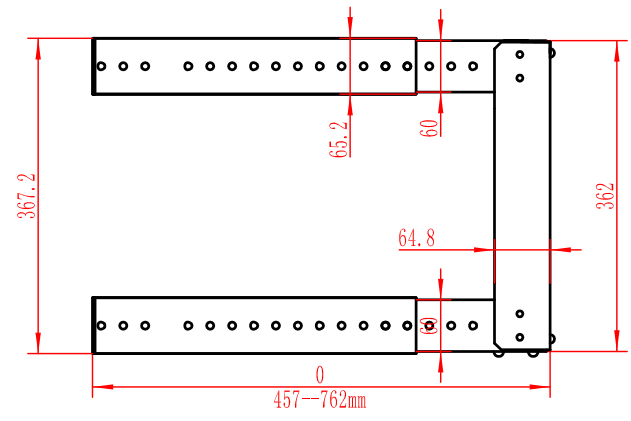


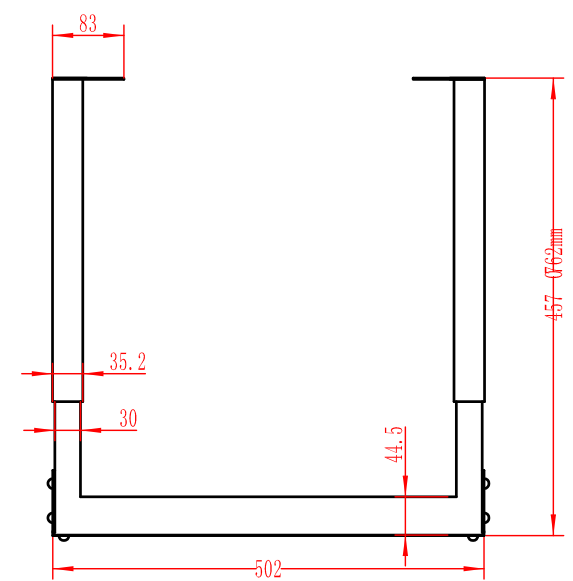
Front View



Back View




Side View



Top View

RoHS

Rack Unit: 6U
 Material: SPCC Cold Rolled Steel
 Thickness: 2mm
 Weight Capacity: 30KG (66lbs)

Part #	SO19J06WD4A	Part #	Rack Unit
Title	6U Wall Mount Rack Adjustable Depth	SO19J06WD4A	6U
Unit	 PI Manufacturing Corp.		
mm			