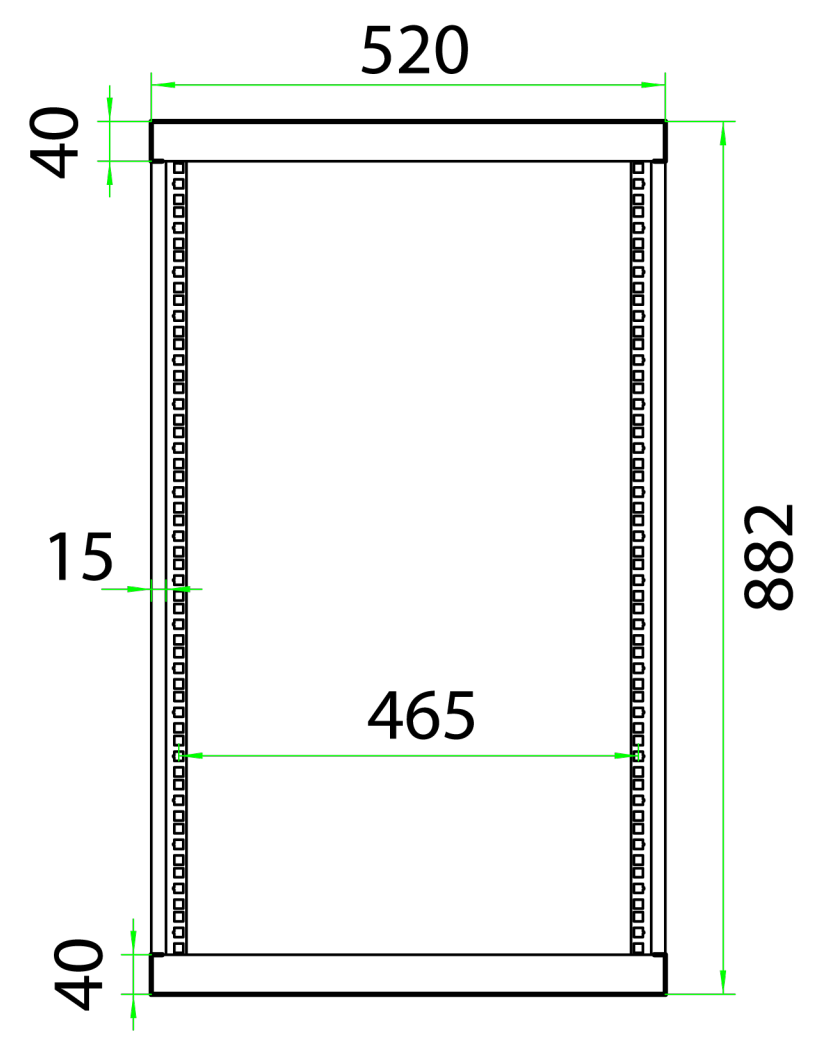
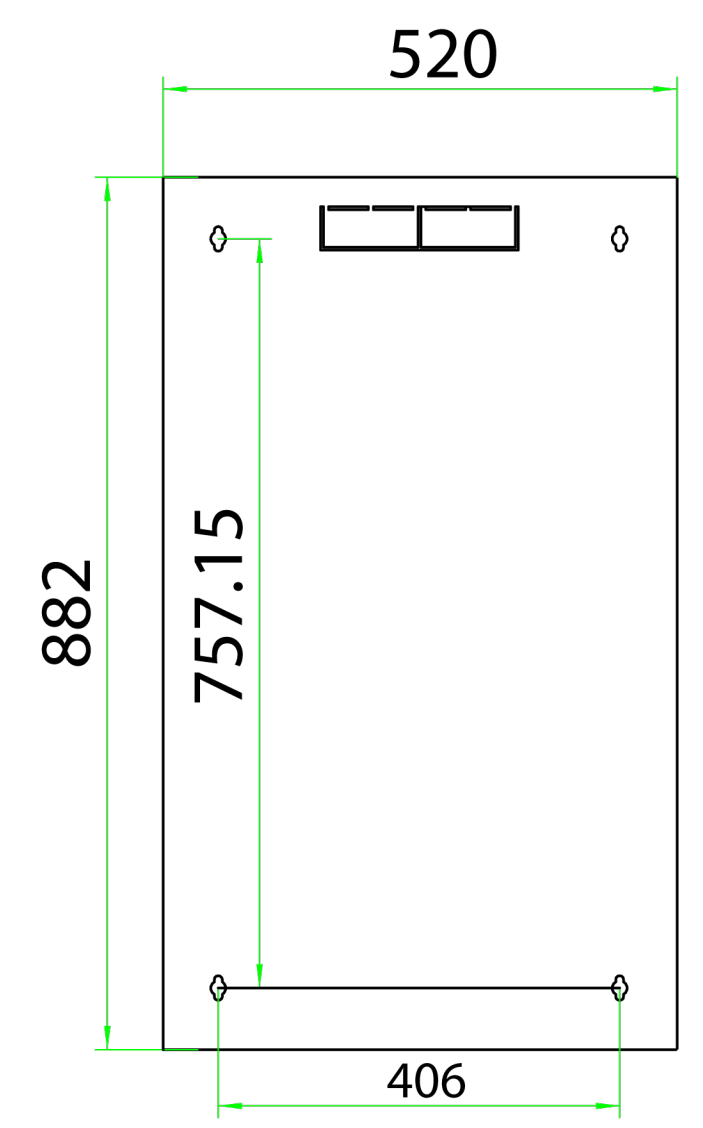


Front




Inside View

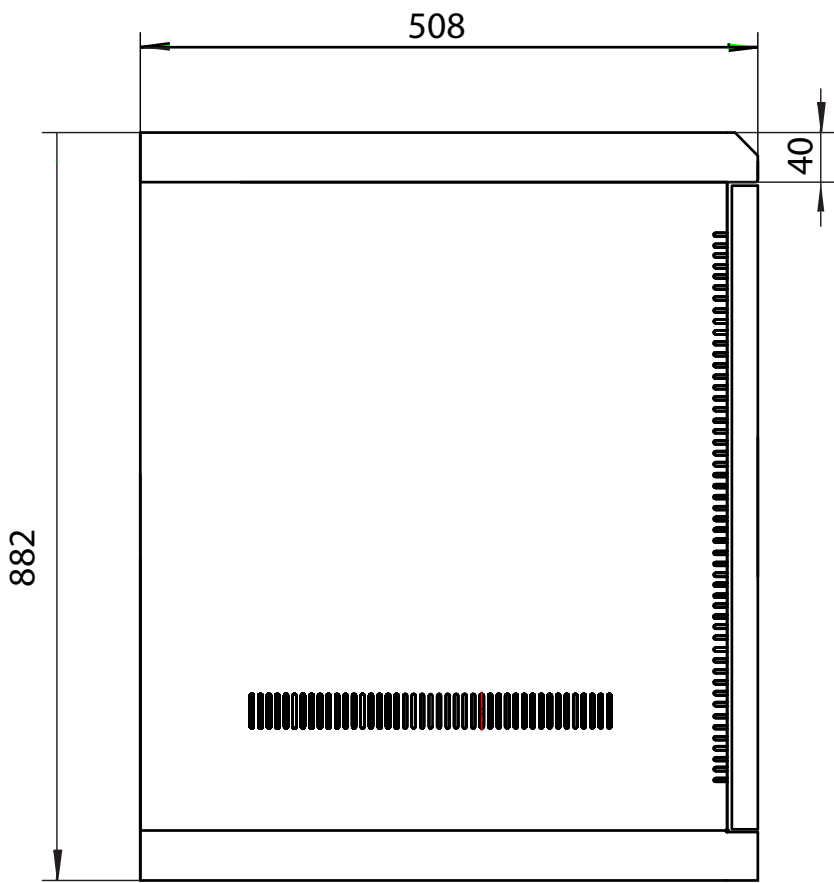


Back

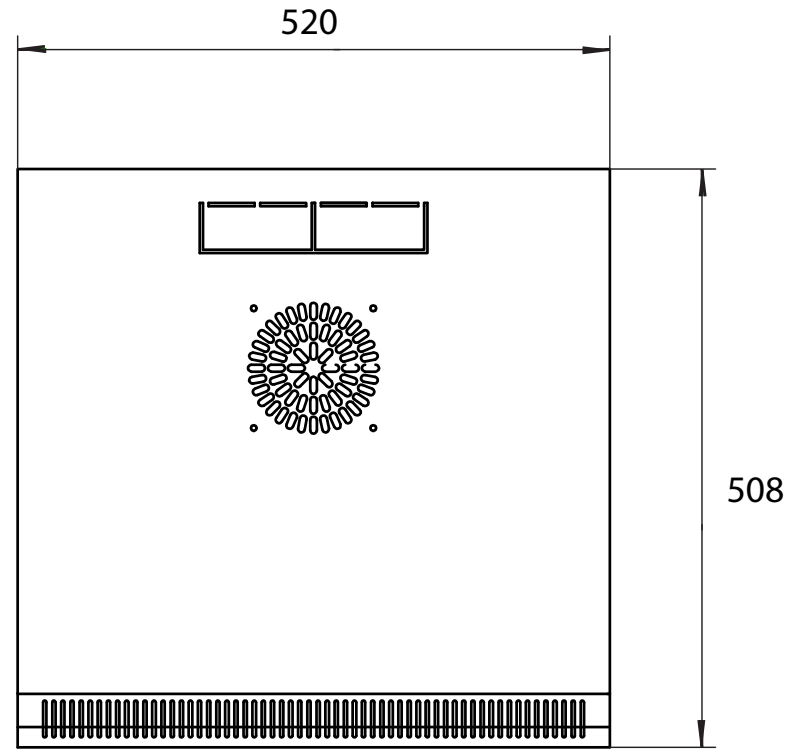
RoHS

Rack Unit: 18U  
 Overall Dimensions: 520 x 508 x 882mm  
 Material: SPCC Cold Rolled Steel  
 Weight Capacity: 60KG (132lbs)

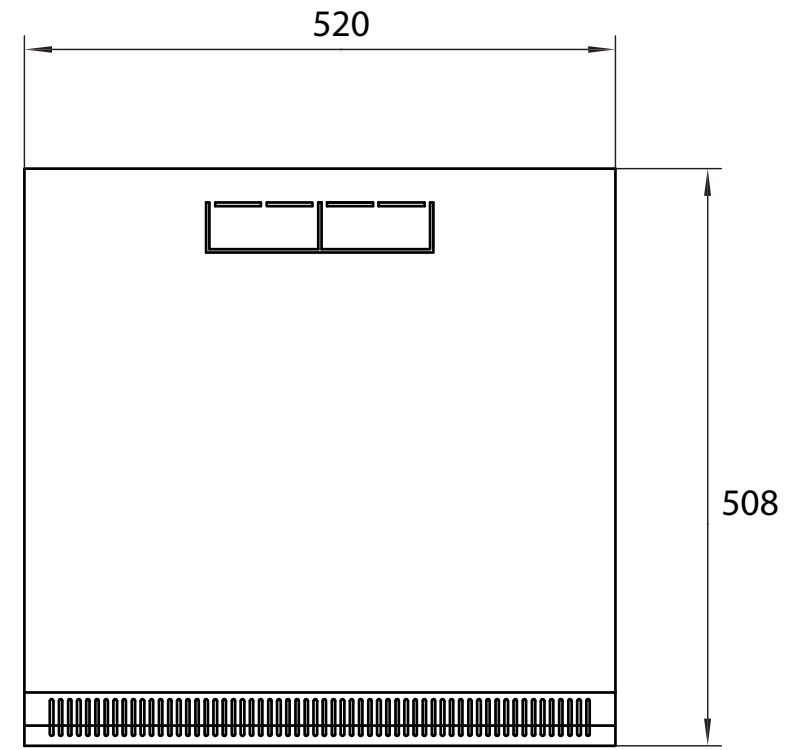
Part #	PIMK-G-2035F	Part #	Rack Units
Title	18U Wall Mount Cabinet	PIMK-G-2035F	18U
Unit	 <b>PI Manufacturing Corp.</b>		
mm			



Side



Top



Bottom