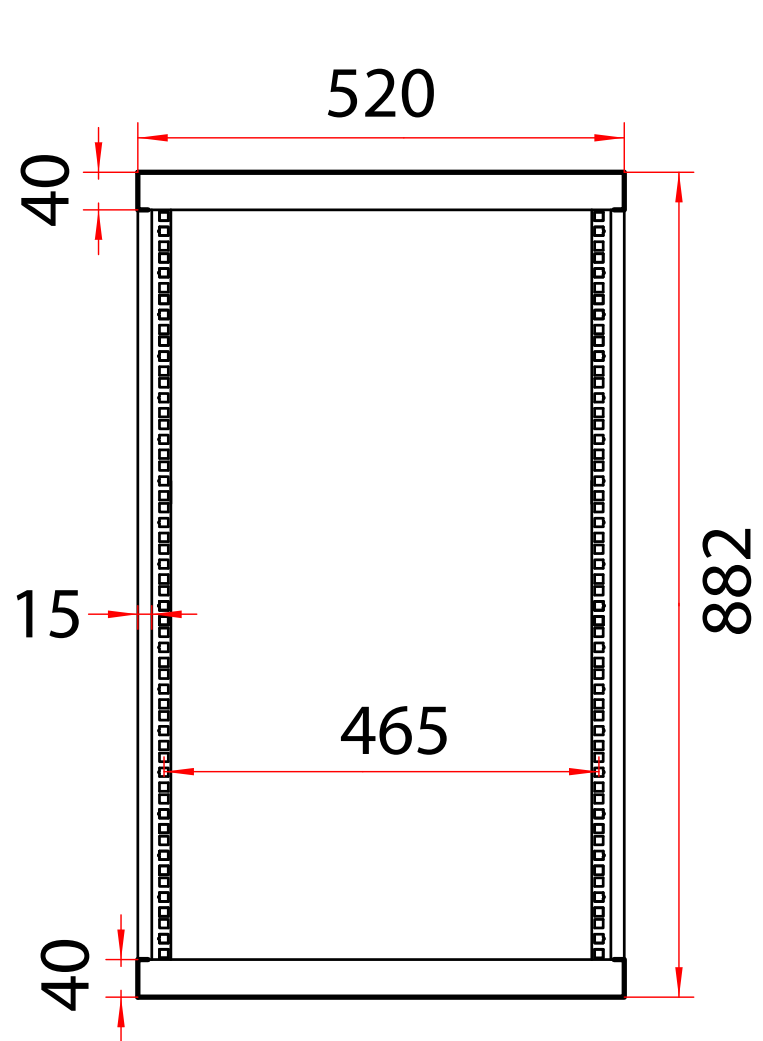
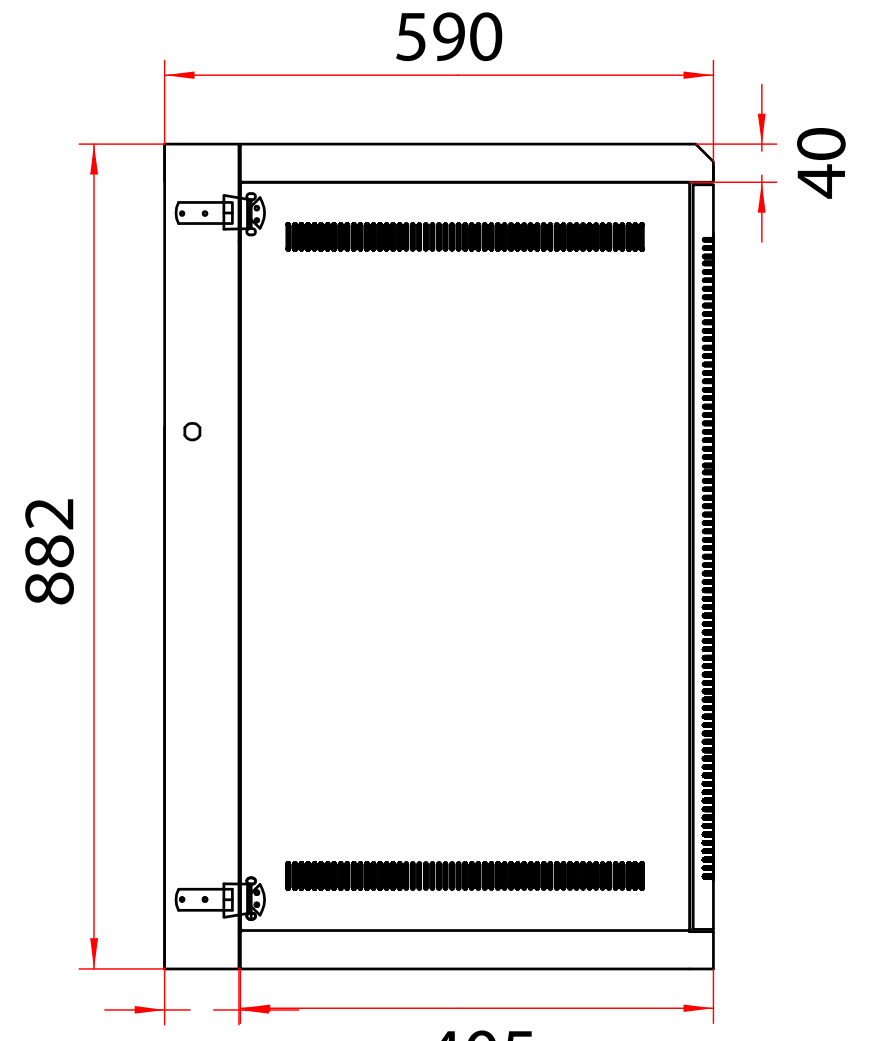


Front




Inside View



Side

RoHS

Rack Unit: 18U  
 Overall Dimensions: 520 x 590 x 882mm  
 Material: SPCC Cold Rolled Steel  
 Weight Capacity: 60KG (132lbs)

Part #	PIMK-F-2335D	Part #	Rack Units
Title	18U Wall Mount Cabinet Swing Out Double Section	PIMK-F-2335D	18U
Unit	 <b>PI Manufacturing Corp.</b>		
mm			

