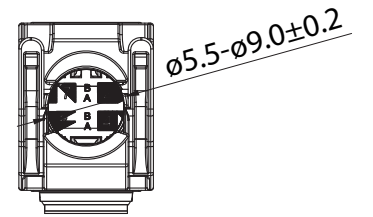
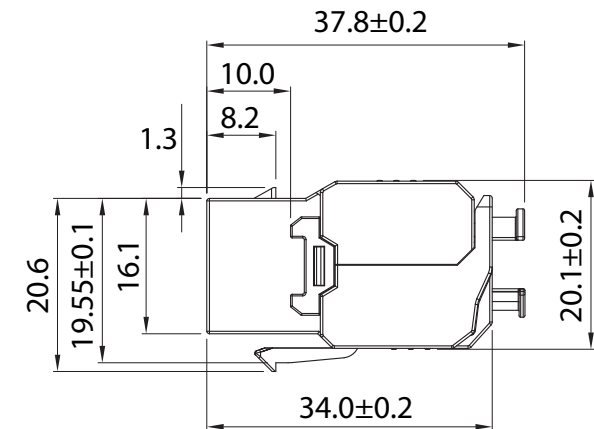
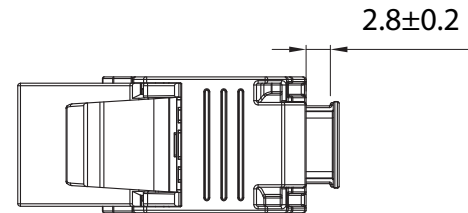


Material:

- 1. RJ45 Jack
 - 1-1. Housing: Zinc die casting with nickel plating
 - 1-2. Contact Bracket: PC, UL 94V-2, Transparent color
- 2. RJ45 Jack Contact:
 - 2-1. Material: Phosphor bronze with nickel plating
 - 2-2. Finish: 50 micro-inch gold plating on plug contact area
- 3. Cap A&B: Zinc die-casting with nickel plating
- 4. IDC:
 - 4-1. Housing: PC+Glass fiber, Gray color (RAL7035), UL 94V-2
 - 4-2. Terminal: Phosphor bronze with tin plating
- 5. Cap for toolless: PC+Glass fiber, White color, UL 94V-2
- 6. Cap for punchdown: PC+Glass fiber, White color, UL 94V-2
- 7. Clip: Stainless steel
- 8. Grounding Contact: Zinc die-casting with nickel plating
- 9. PCB: FR4, UL 94V-0



Performance:

- 1. T568A & T568B wiring
- 2. Insertion Force: 30N max. (IEC 60603-7-5)
- 3. Retention Strength: 7.7kg between jack and plug
- 4. Operating Temperature: -10° Celsius to 60° Celsius (ISO/IEC 11801, ANSI/TIA/EIA 568 C.2)
- 5. Life (Mating Cycles):
 - 5-1. Jack: 750 cycles min. (ISO/IEC 11801, IEC 60603-7-5)
 - 5-2. IDC: Suitable for 23-26AWG stranded and solid wire, Compatible with both 110 & krone punch down tools
 - 5-3. Toolless: When using the IDC cap for wire management
- 6. The Cat6a transmission performance is in compliance with the ANSI/TIA 568 C.2 standard
- 7. Compliant with Power over Ethernet Plus (PoE+) (Mating and unmating connectors under electrical load)

General Tolerance of Dimensions: X.XXX ±0.005 X.XX ±0.05 X.X ±0.1 SCALE 1/1 (A4)	Part #	KYE-6A-CB-S
	Title	Toolless / Punchdown Shielded Metal Cat6a Keystone Jack, 180 Degree - Silver
	Unit	mm



Part #	Color
KYE-6A-CB-S	Silver