

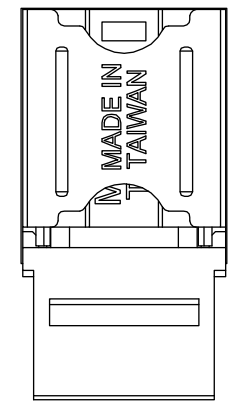
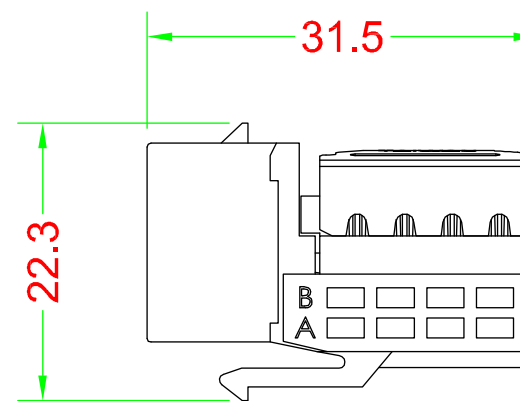
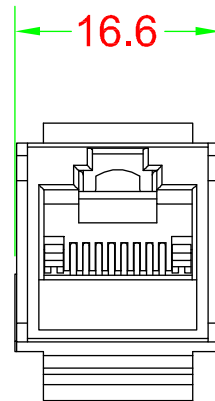
Performance:

Meets C6 EIA/TIA 568B Standard.

Materials:

- Body : Fireproof ABS UL-94V0
- Jack : 8P8C 50 micro inches gold plated
- PCB : FR-4 / UL-94V0
- IDC Cap : Fireproof ABS UL-94V0
- IDC Body : Fireproof ABS UL-94V0
- IDC Pin : Bronze & Tinned

IDC Description : For 22-26 AWG.
For 110 punch-down Tool



Electrical Specifications:


- Insulation Resistance : 500M ohms (min.)
- Contact Resistance : 20m ohms (max.)
- Current Rating : 1.5 Amps .
- DC Resistance : 0.1 ohms (max.)
- Withstanding Voltage : 1000 VAC RMS @ 60Hz / 1 min.

Mechanical Specifications:

- IDC Punch Down Cycle : Over 250 Cycles (min.)
- Jack Insertion Cycle : Over 2000 Cycles (min.)

Operation Temperature : -40 °C ~ +70 °C

RoHS

Part #	KYE-6-RNW-XX	Part #	KYE-6-RNW-BK	Color	Black
Title	Cat6 Keystone Jack Narrow Type, 110 Punch Down, 90 Degree		KYE-6-RNW-BL	Color	Blue
Unit mm	 PI Manufacturing Corp.		KYE-6-RNW-GN	Color	Green
			KYE-6-RNW-RD	Color	Red
			KYE-6-RNW-WH	Color	White
			KYE-6-RNW-YL	Color	Yellow