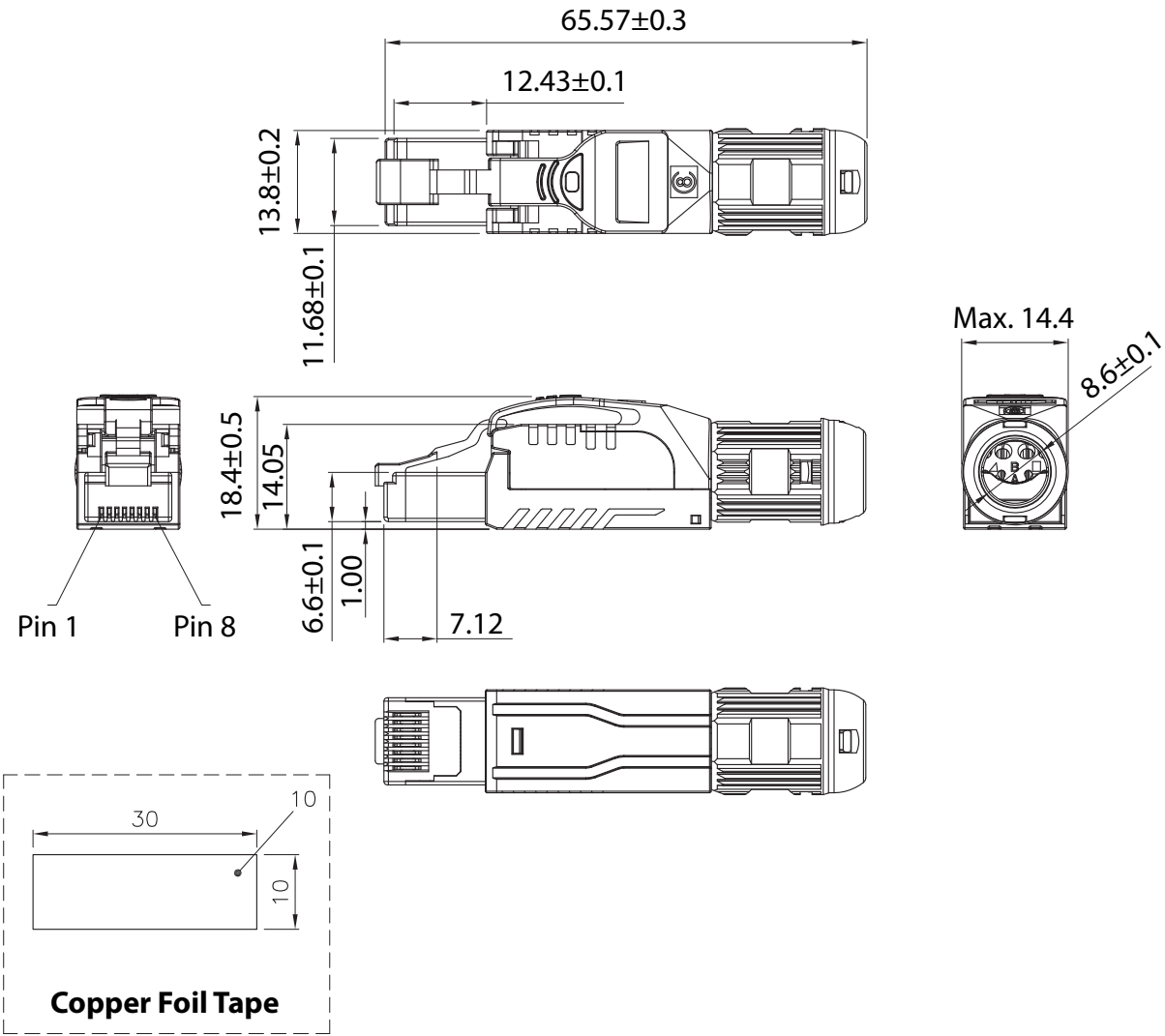


**Material:**

- 1. Extractor: PC, UL 94V-2
- 2. Housing: Zinc die-cast with nickel plating
- 3. RJ45 Plug:
  - 3-1. Housing: PC, UL 94V-2, black color
  - 3-2. Contact Material: Phosphor Bronze with 100 micro-inch nickel plating
  - 3-3. Contact Finish: 50 micro-inch gold plated on surface contact area
- 4. Cover: Zinc die-cast with nickel plating
- 5. Wire Management Bar: PC, white color, UL 94V-2
- 6. IDC:
  - 6-1. Housing: PC, white color, UL 94V-2
  - 6-2. Terminal: Titanium copper with tin plating
- 7. Grounding Contact: Zinc die-cast with nickel plating
- 8. Boot:
  - 8-1. Housing: Zinc die-cast with nickel plating
  - 8-2. SR: PC, UL 94V-2, black color
  - 8-3. Cap: PC, UL 94V-2, black color
- 9. PCB, UL 94V-V0
- 10. Copper foil tape



RoHS

**Performance:**

- 1. T568A and T568B wiring
- 2. Insertion Force: 30N maximum (IEC 60603-7)
- 3. Retention Strength: 7.7kg between jack and plug
- 4. Operating Temperature: 14°F - 140°F (-10°C to 60°C) (ISO/IEC 11801, ANSI/TIA 568 C.2)
- 5. Life (Mating Cycles):
  - 5-1. 750 cycles minimum (ISO/IEC 11801, IEC 60603-7)
  - 5-2. IDC: Suitable for 23-26AWG stranded and solid wire, minimum 20 installation cycles

Part #	Color
KYCB-CAT8-1-BK	Black
KYCB-CAT8-1-BL	Blue
KYCB-CAT8-1-GN	Green
KYCB-CAT8-1-OR	Orange
KYCB-CAT8-1-RD	Red
KYCB-CAT8-1-WH	White
KYCB-CAT8-1-YL	Yellow

Part #	Title	Unit
KYCB-CAT8-1-XX (XX = Color)	Cat8 Tool-Free Modular Plug for Solid / Stranded Wire Cable, 22-24AWG, 8.50mm OD	mm



**PI Manufacturing Corp.**