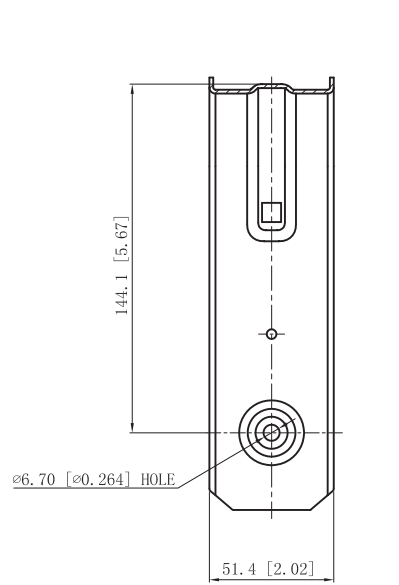
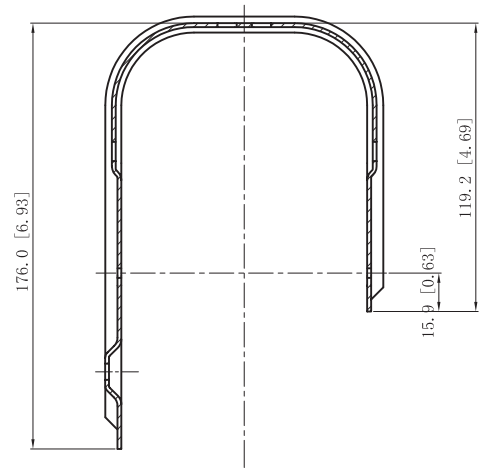
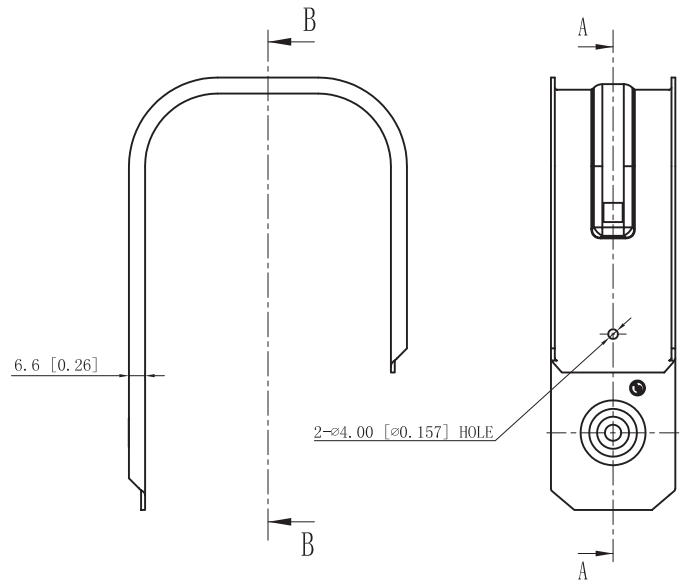


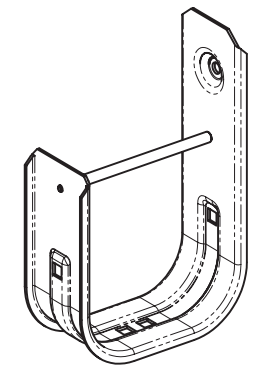
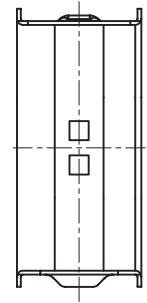
SIDES	BOTTOM
Material: Steel-0.039"-G60 Galvanized	



CUTAWAY VIEW B-B



CUTAWAY VIEW A-A



DESCRIPTION
TRADE REFERENCE TERMS

STANDARD
PACKING

TITLE		J-HOOKS	
SIZE	DWG NO.	JH-4	REV B
A4		DATA SHEET	