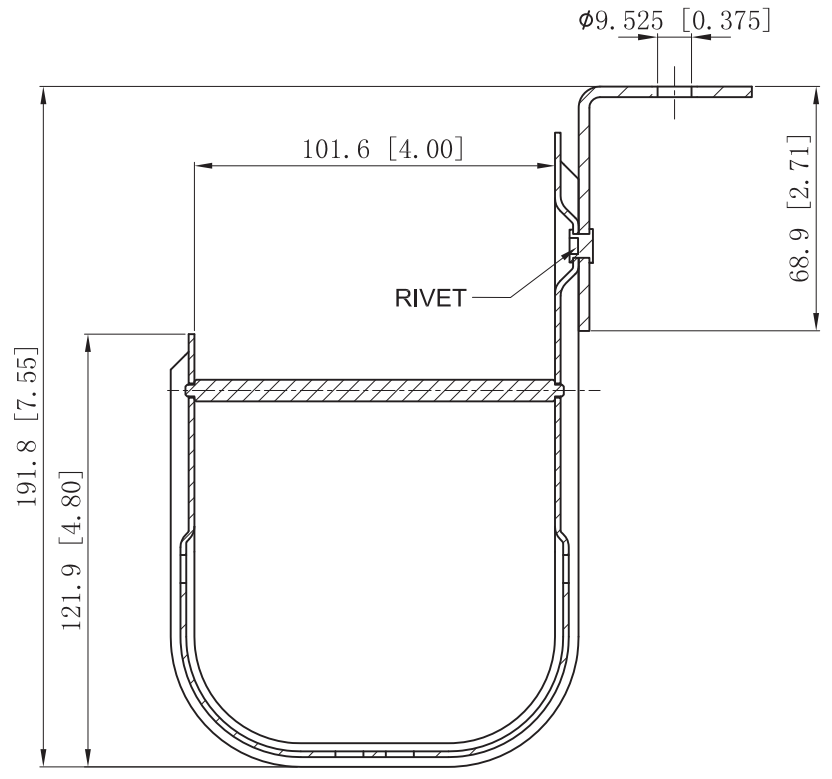
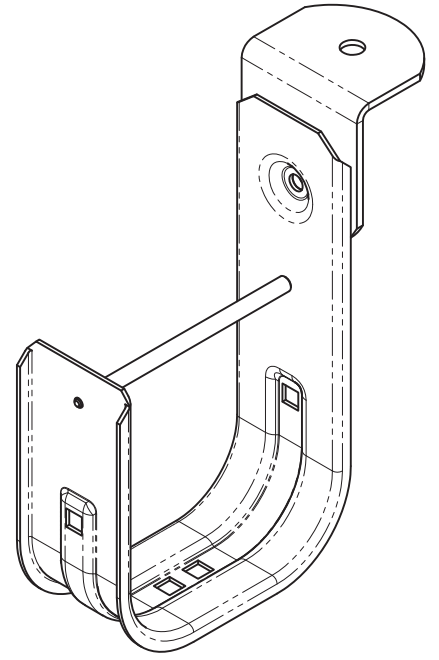
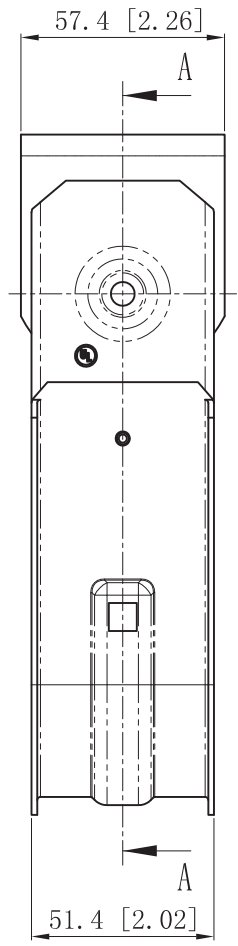


SIDES	BOTTOM
Material: Steel-0.039"-G60 Galvanized	



CUTAWAY VIEW A-A



DESCRIPTION
TRADE REFERENCE TERMS

STANDARD PACKING

TITLE	J-HOOKS		
SIZE	DWG NO.	JH-4-C	REV
A4			B
DATA SHEET			