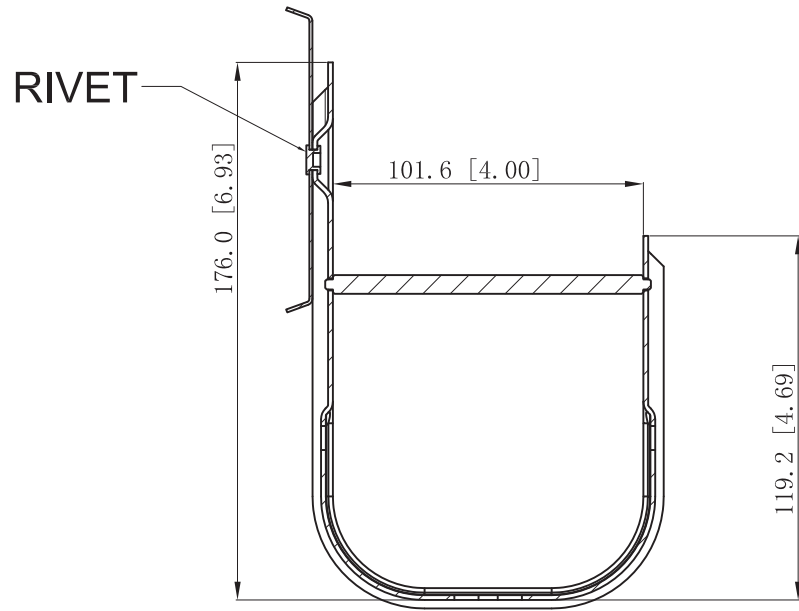
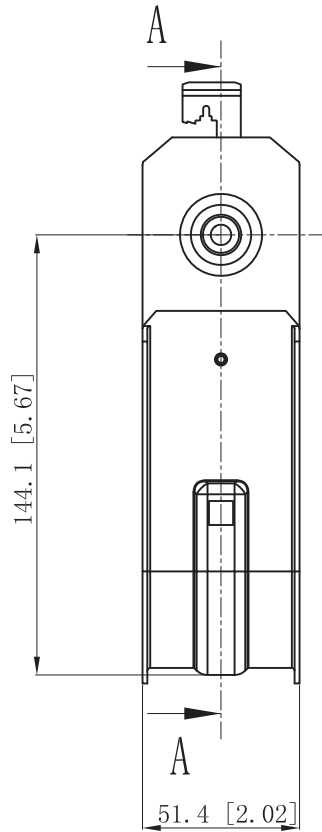
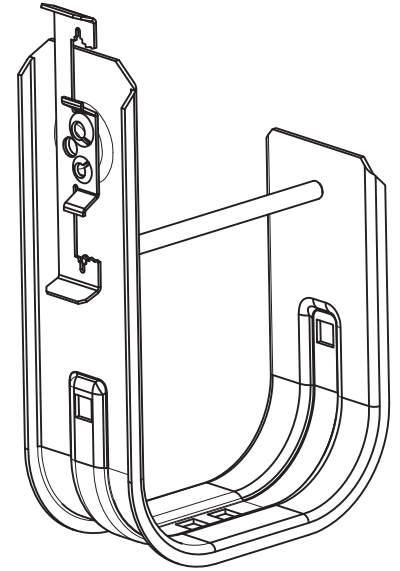


SIDES	BOTTOM
Material: Steel-0.039"-G60 Galvanized	



CUTAWAY VIEW A-A



DESCRIPTION
TRADE REFERENCE TERMS

STANDARD
PACKING

TITLE	J-HOOKS	
SIZE	DWG NO.	REV
A4	JH-4-BW	B
DATA SHEET		