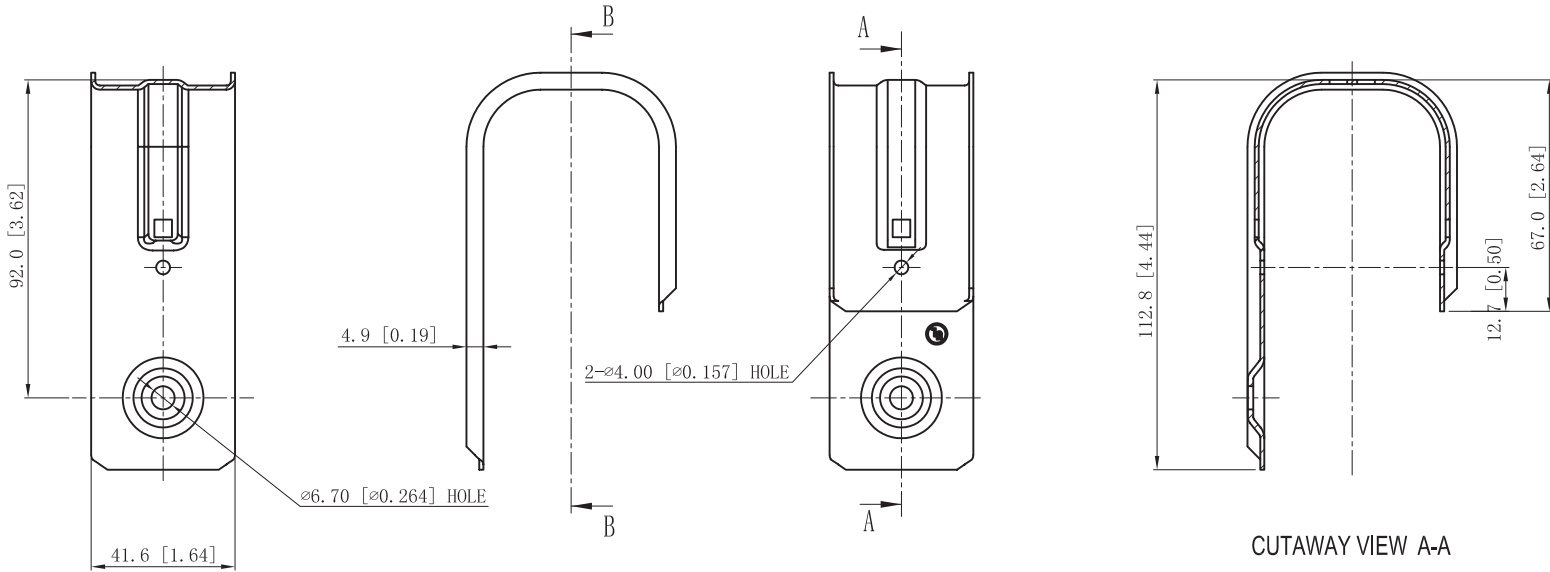
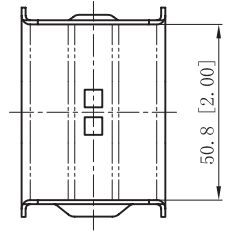
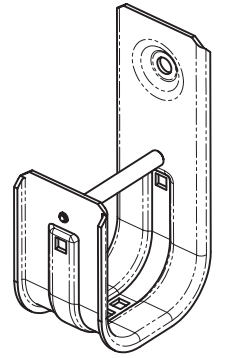


SIDES	BOTTOM
Material: Steel-0.039"-G60 Galvanized	



CUTAWAY VIEW B-B

CUTAWAY VIEW A-A



DESCRIPTION
TRADE REFERENCE TERMS

STANDARD
PACKING

TITLE	J-HOOKS		
SIZE	DWG NO.	JH-2	REV
A4			B
DATA SHEET			