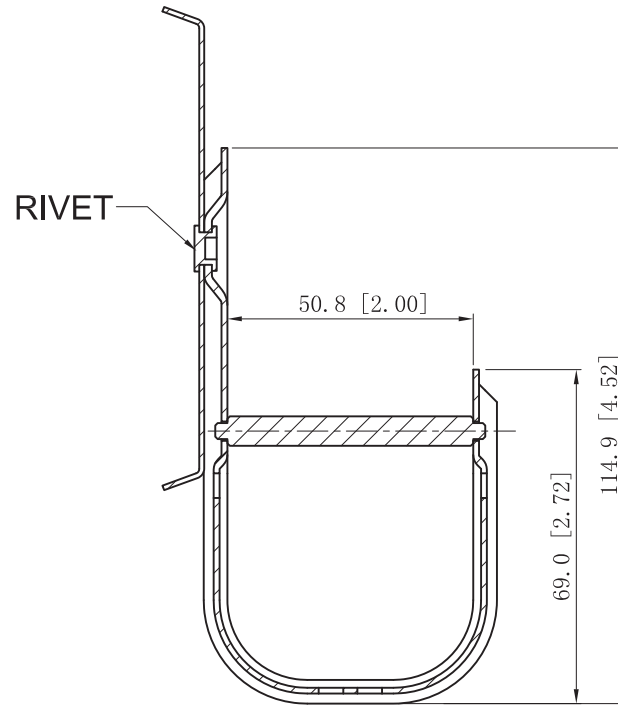
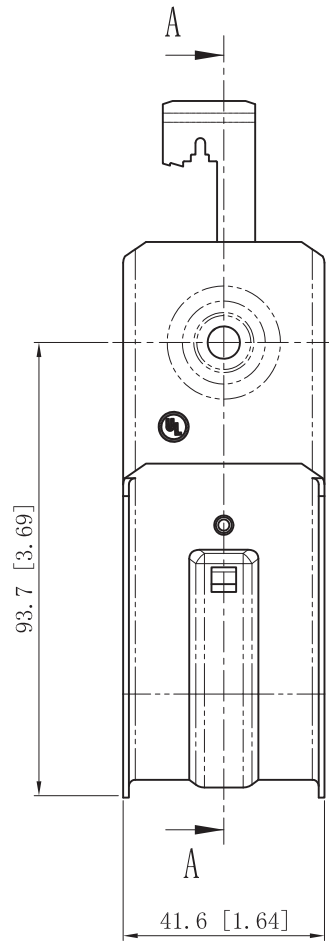


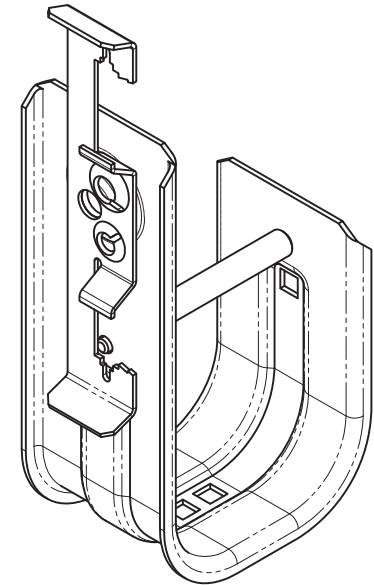
SIDES

BOTTOM

Material: Steel-0.039"-G60 Galvanized



CUTAWAY VIEW A-A



DESCRIPTION

STANDARD
PACKING

TITLE

J-HOOKS

TRADE REFERENCE TERMS

SIZE

A4

DWG NO.

JH-2-BW

REV

B

DATA SHEET