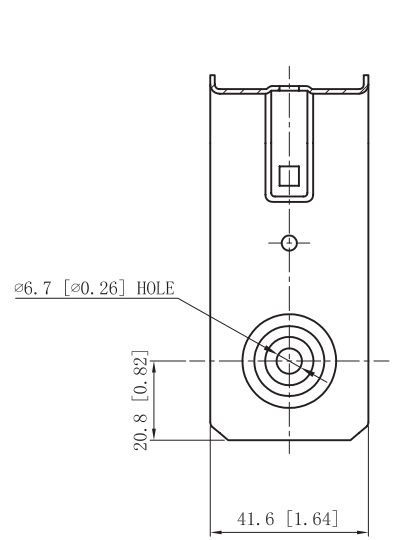
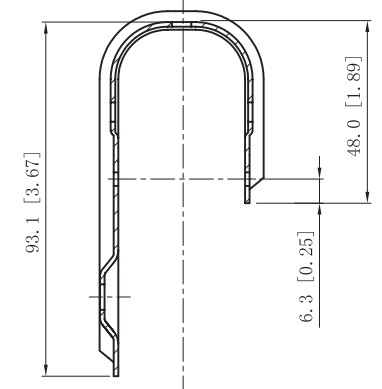
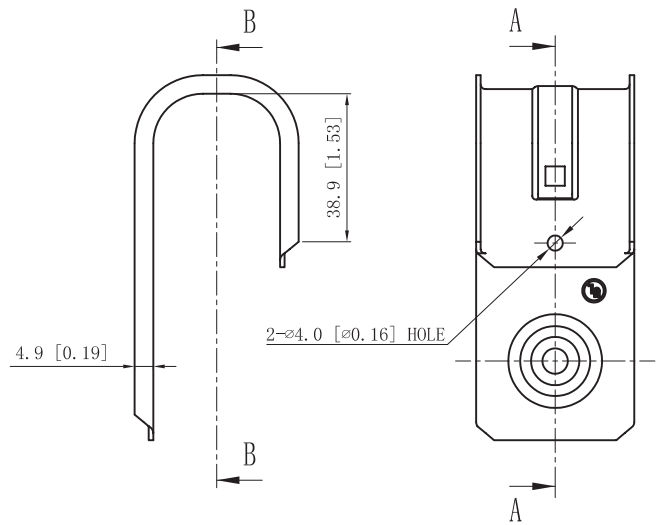


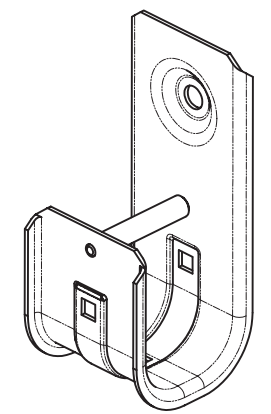
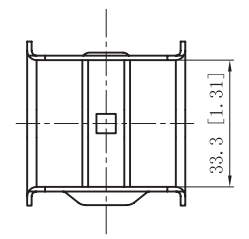
SIDES	BOTTOM
Material: Steel-0.047"-G60 Galvanized	



CUTAWAY VIEW B-B



CUTAWAY VIEW A-A



DESCRIPTION
TRADE REFERENCE TERMS

STANDARD
PACKING

TITLE		J-HOOKS	
SIZE	DWG NO.	JH-1516	
A4		DATA SHEET	
		REV	C