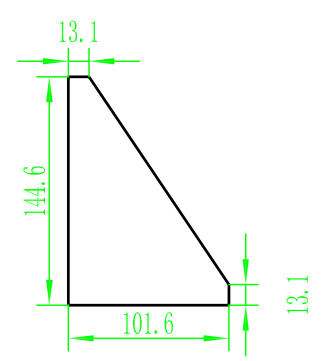
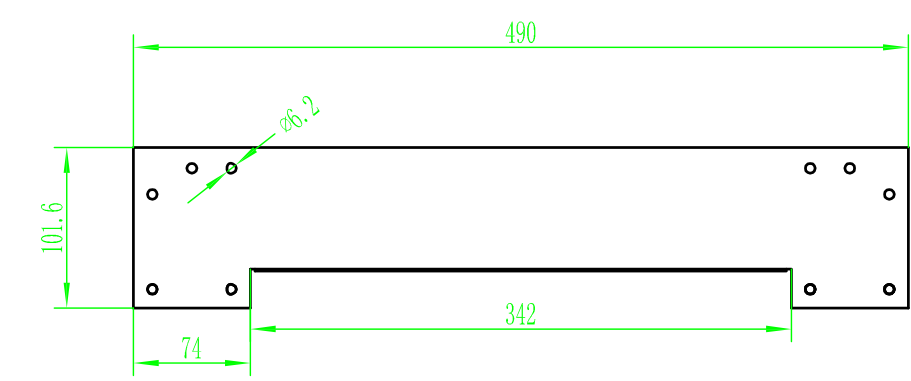


Front




Side



Bottom

RoHS

Rack Unit: 3U
 Material: SPCC Cold Rolled Steel
 Thickness: 1.2mm
 Weight Capacity: 8KG (17lbs)

Part #	HMV-03-4	Part #	Rack Units
Title	3U 19 inch Steel Vertical Rack and wall Mount Server Rack	HMV-03-4	3U
Unit	 PI Manufacturing Corp.		
mm			