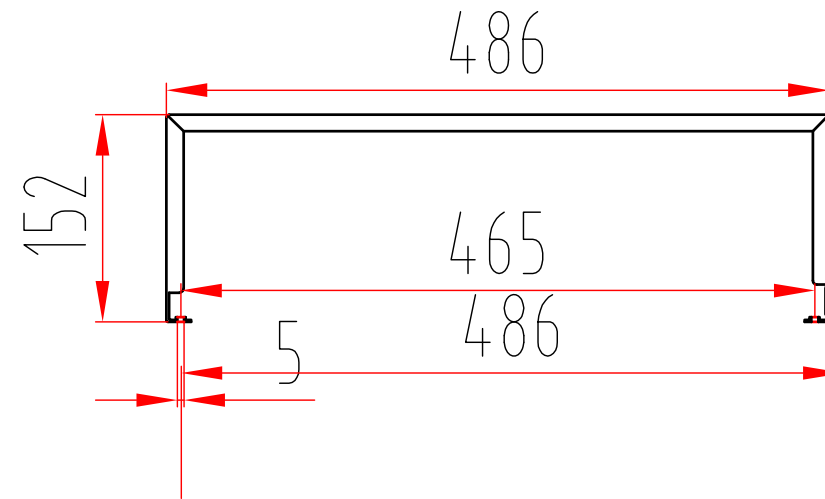
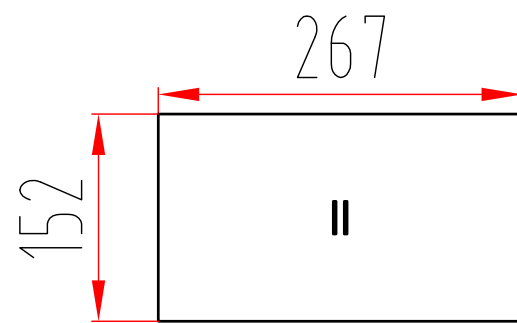


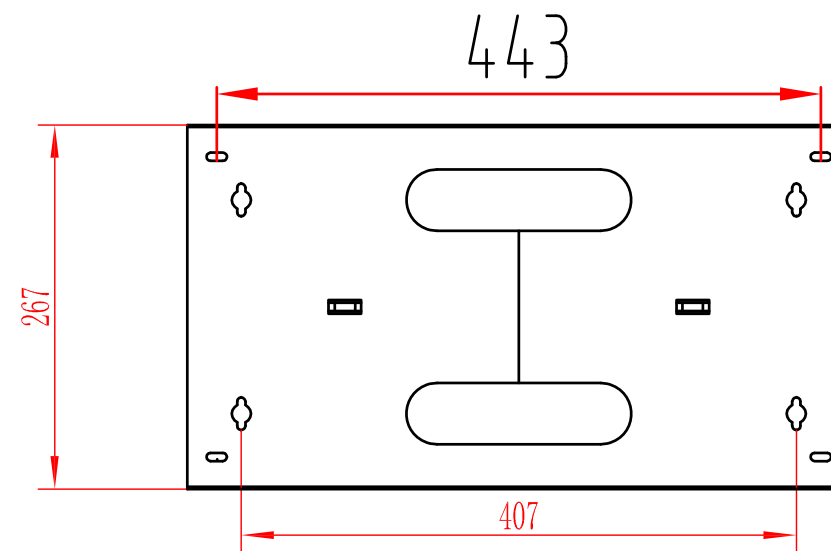
Front



Top




Side



Back

RoHS

Rack Unit: 6U  
 Material: SPCC Cold Rolled Steel  
 Thickness: 1.5mm  
 Weight Capacity: 16KG (35lbs)

Part #	HMB-6U-6	Part #	Rack Units
Title	6U Hinged Wall Mount Bracket 10.5"*19"*6", Open Hole	HMB-6U-6	6U
Unit	 <b>PI Manufacturing Corp.</b>		
mm			