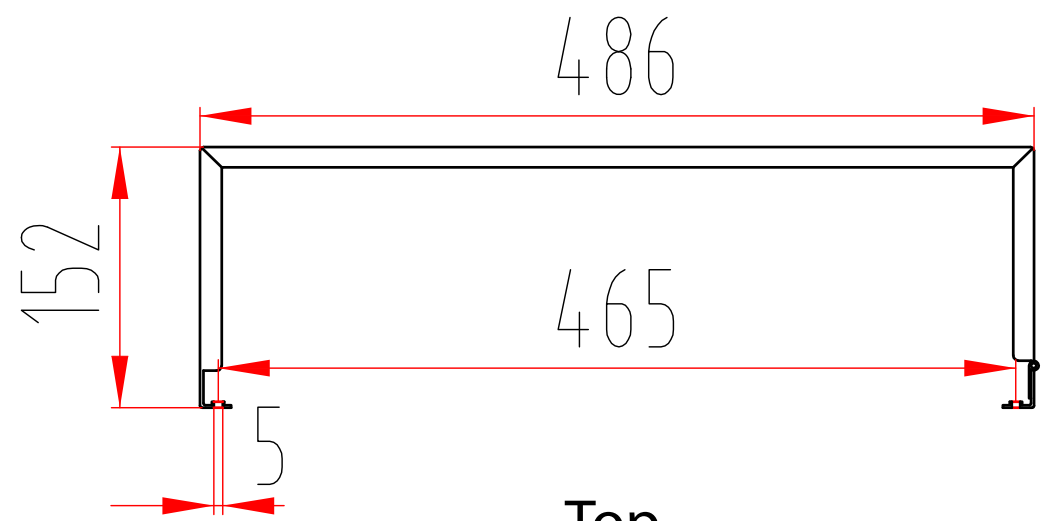
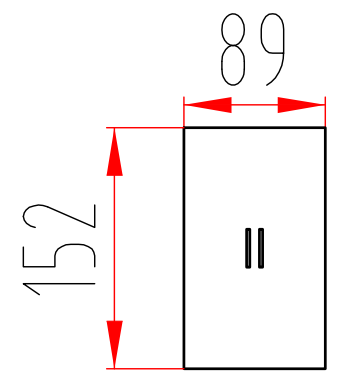


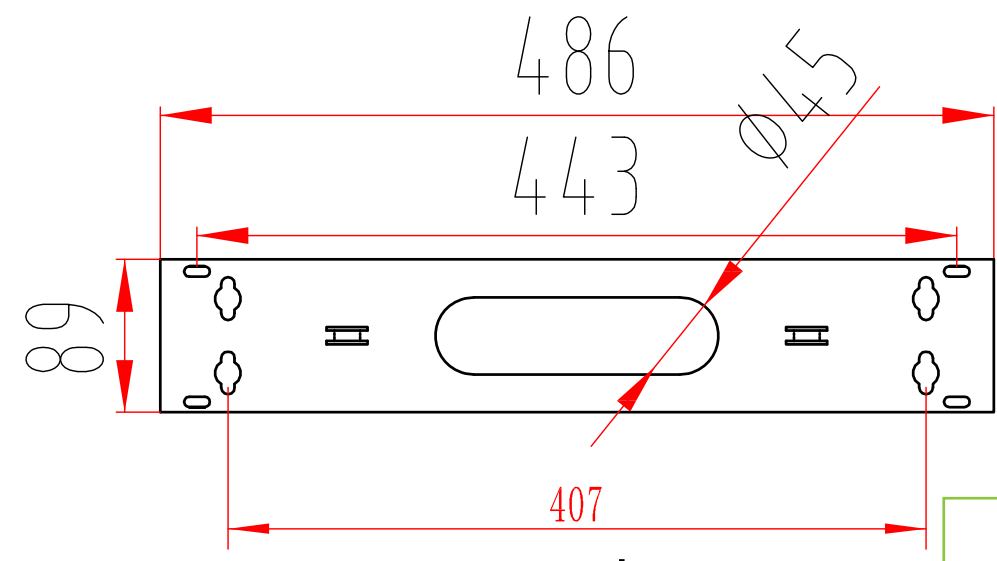
Front



Top




Side



Back

RoHS

Rack Unit: 2U
 Material: SPCC Cold Rolled Steel
 Thickness: 1.5mm
 Weight Capacity: 7KG (15lbs)

| | | | |
|--------|---------------------------------------------------------------------------------------------------------------------|----------|------------|
| Part # | HMB-2U-6 | Part # | Rack Units |
| Title | 2U Hinged Wall Mount Bracket 3.50"*19"*6", Open Hole | HMB-2U-6 | 2U |
| Unit |  PI Manufacturing Corp. | | |
| mm | | | |