

**Performance:**

Meets C6 EIA/TIA 568B Standard.

**Materials:**

Body : Fireproof ABS UL-94V0  
 Jack : 8P8C 50 micro inches gold plated  
 PCB : FR-4 / UL-94V0

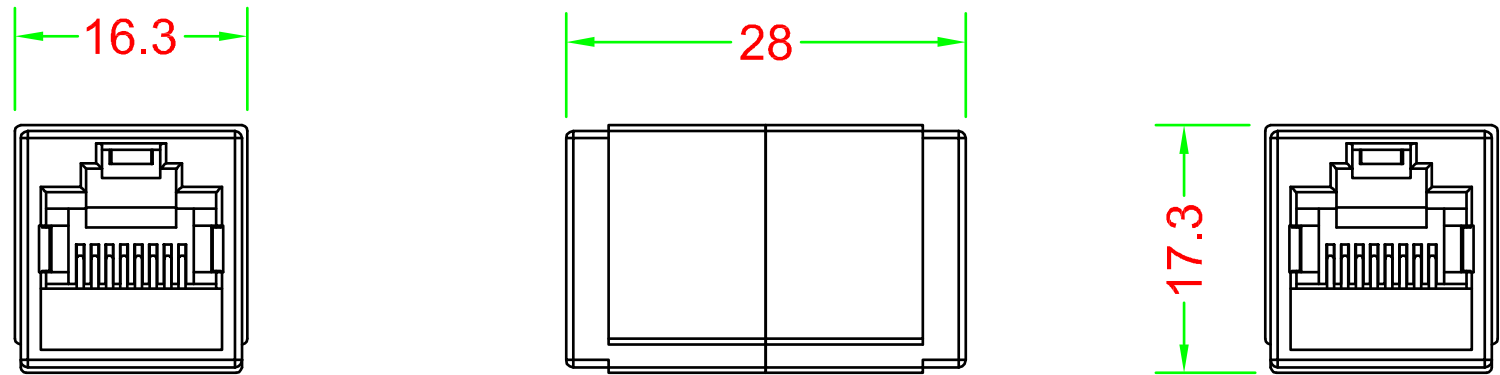
**Electrical Specifications:**

Insulation Resistance : 500M ohms (min.)  
 Contact Resistance : 20m ohms (max.)  
 Current Rating : 1.5 Amps .  
 DC Resistance : 0.1 ohms (max.)  
 Withstanding Voltage : 1000 VAC RMS @ 60Hz / 1 min.


**Mechanical Specifications:**

Jack Insertion Cycle : Over 2000 Cycles (min.)

Operation Temperature : -40 °C ~ +70 °C



RoHS

Part #	COUPLER-C6-WH-2	Part #	Cable Length
Title	Cat6 Inline Coupler, Jack to Jack, White		
Unit	 <b>PI Manufacturing Corp.</b>		
mm			