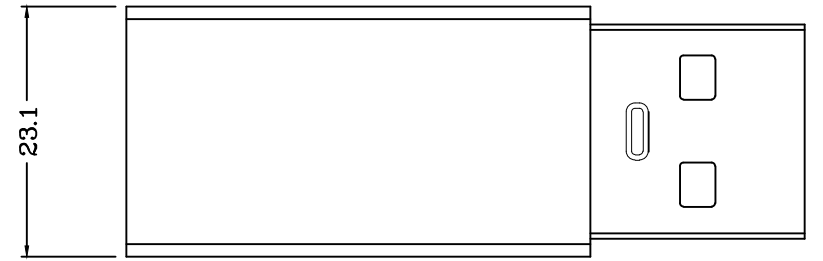
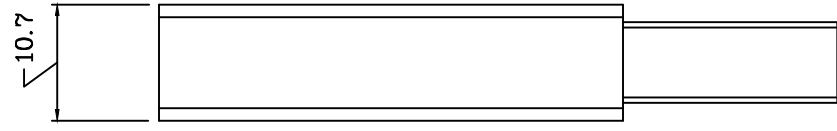
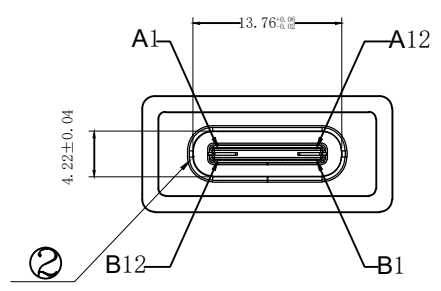
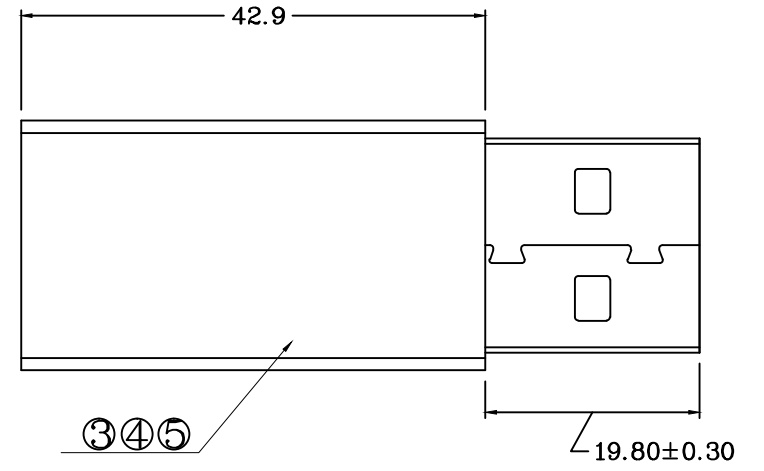
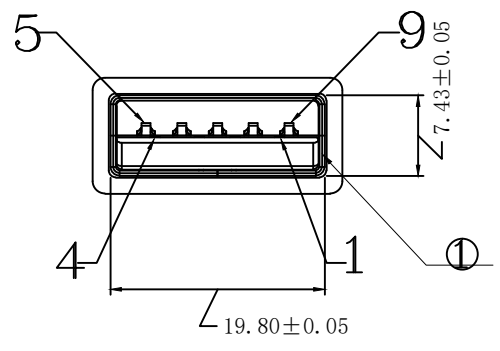


CN1




CN2



RoHS

No.	Part	Description
1	Connector	USB3.0 AM BODY NICKEL PLATED PIN GOLD PLATED G/F
2	Connector	USB TYPE CF BODY NICKEL PLATED PIN GOLD PLATED G/F
3	Inner Connector	PCB BOARD T= 0.8mm 1*RESISTANCE 56K 1* CAPACITANCE 10NF
4	Internal Mold	PVC COMPOUND 45P BLACK
5	Outer Mold	ALLUMINUM ALLOY SHELL BLACK

Part #	000-USB-CF-12	Part #	
Title	USB 3.0 USB-C Female to USB A Male Adapter, Aluminum Shell		Cable Length
Unit	mm		
 PI Manufacturing Corp.			