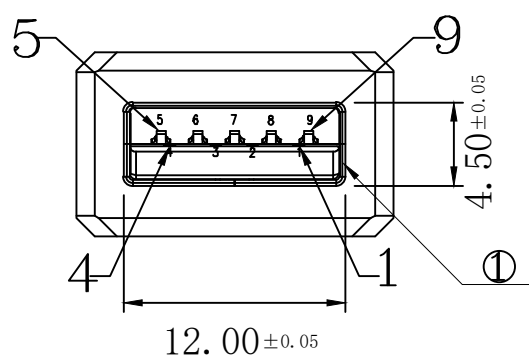
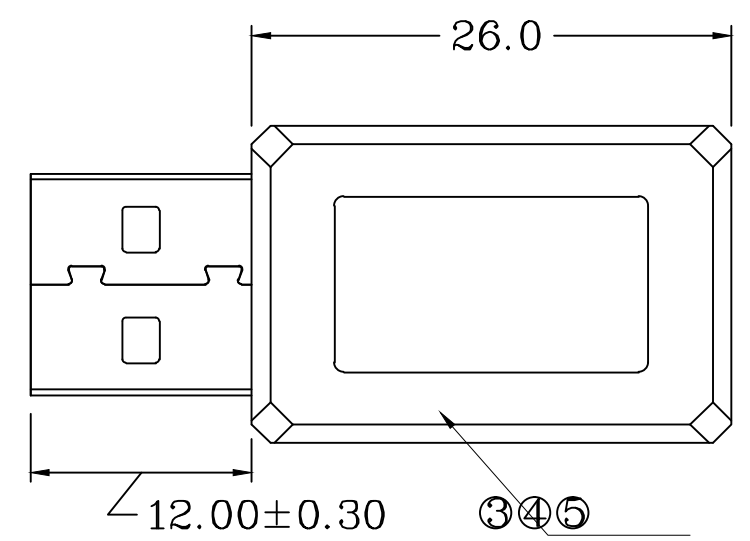
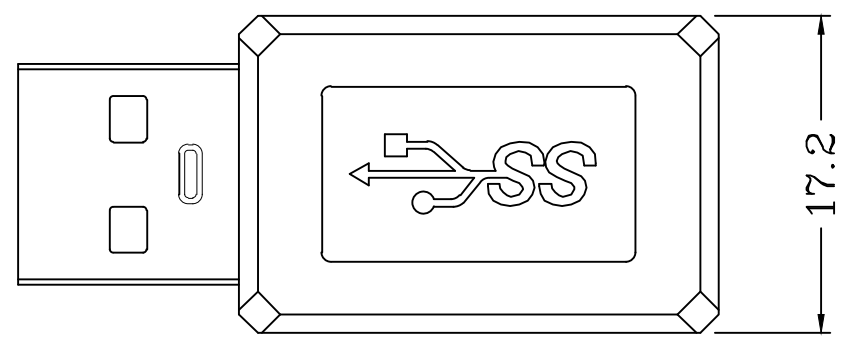
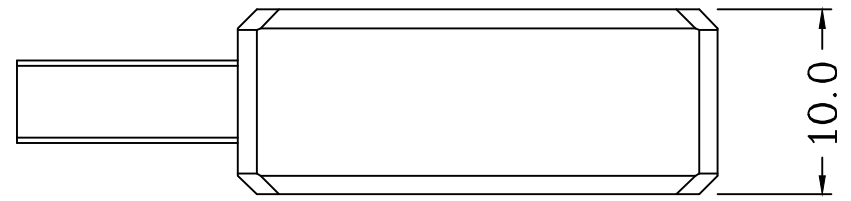
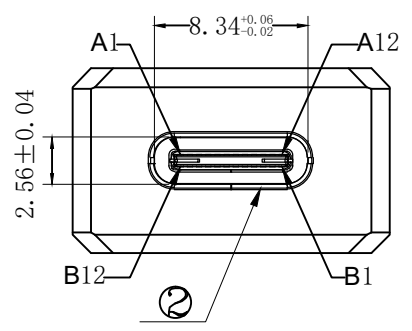


CN1




CN2



RoHS

No.	Part	Description
1	Connector	USB3.0 AM BODY NICKEL PLATED PIN GOLD PLATED G/F
2	Connector	USB TYPE CF BODY NICKEL PLATED PIN GOLD PLATED G/F
3	Inner Connector	PCB BOARD 1*RESISTANCE 56K 1* CAPACITANCE 10NF
4	Internal Mold	PE COMPOUND TRANSPARENT
5	Outer Mold	PVC MATERIAL 45P BLACK

Part #	000-USB-CF-02	Part #	
Title	USB 3.0 USB-C Female to USB A Male Adapter, Black PVC		Cable Length
Unit	 <b>PI Manufacturing Corp.</b>		
mm			