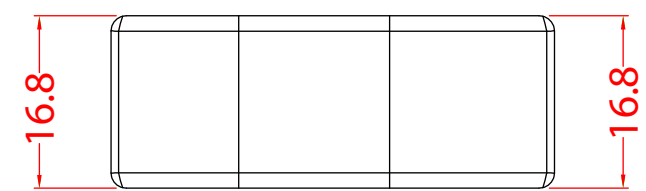
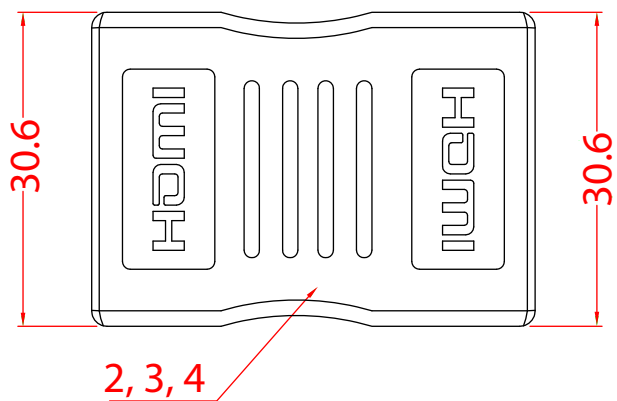
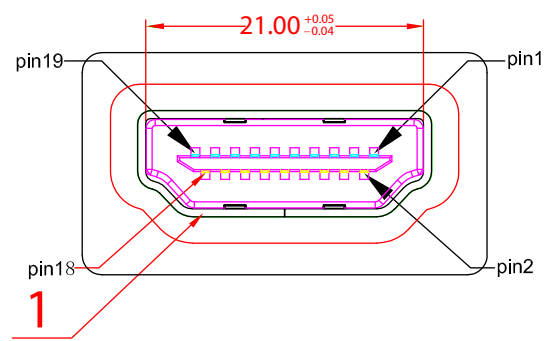
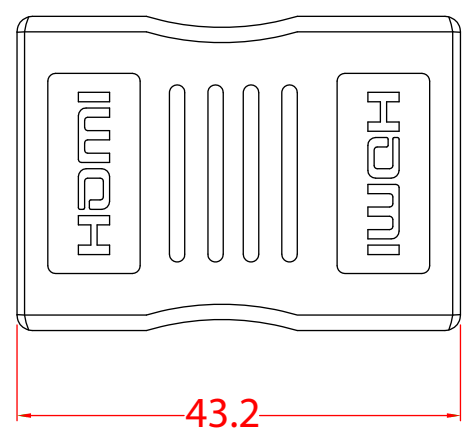
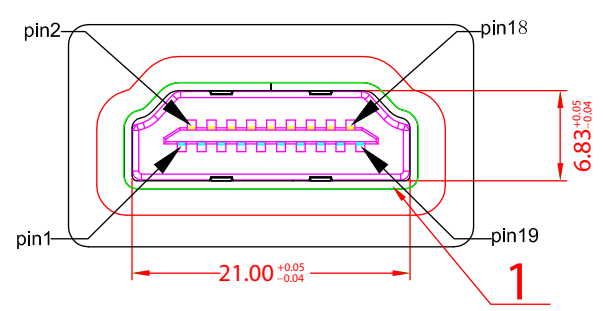


CN1




CN2



- | | |
|-------|-------|
| CN1 | CN2 |
| 01 | 01 |
| 02 | 02 |
| 03 | 03 |
| 04 | 04 |
| 05 | 05 |
| 06 | 06 |
| 07 | 07 |
| 08 | 08 |
| 09 | 09 |
| 10 | 10 |
| 11 | 11 |
| 12 | 12 |
| 13 | 13 |
| 14 | 14 |
| 15 | 15 |
| 16 | 16 |
| 17 | 17 |
| 18 | 18 |
| 19 | 19 |
| SHELL | SHELL |

RoHS

No	Description	Part #	000-HDMI-FF	Part #	Cable Length
1	CONNECTOR: HDMI 19P AF GOLD PLATED PIN: GOLD PLATED GF BLACK PLASTIC	Title	HDMI Female to Female Molded Coupler Adapter		
2	PCB BOARD T=1.6MM				
3	PE5321	Unit	 PI Manufacturing Corp.		
4	PVC 45P BLACK	mm			